

Imagine

IMG-800-S

With refined styling and a streamlined profile, the Imagine is packed with new design innovations. This banner stand is our most popular removable cassette roller system and has been specially designed for maximum convenience and ease of use.



integrated pole storage

features and benefits:

- Variable height = 29.5" - 83.35"
- Drop-in interchangeable cassette accomodates graphic media up to 17.72 mils thick*
- **New** telescopic pole
- **New** integrated pole storage for the twist & lock telescopic pole
- **New** accessory channel featured on the top of the unit (for literature pocket)
- Add your own branding using the slide in graphic channel along the banner stand base
- Premium form molded EVA bag included
- Graphic tensioner
- Anti-slip strips along base
- Lifetime warranty against manufacturer defects

dimensions:

Hardware

Assembled unit:

87"(h) max x 34.25"(w) x 8.50"(d) approx.
2210mm(h) x 870mm(w) x 220mm(d) approx.

Base dimensions:

3.75"(h) x 34.10"(w) x 8.50"(d) approx.
95mm(h) x 865mm(w) x 215mm(d) approx.

Weight:

10.9lbs/4.95kg approx. (including carry bag)
(Installed graphic add weight)

Shipping

Shipping dimensions - ships in one box

37"(h) x 12"(w) x 5"(d)
920mm(h) x 290mm(w) x 110mm(d)

Approximate shipping weight:

17lbs/7.71kg shipping weight with graphic approx.

11lbs/4.95kg shipping weight without graphic approx.

Graphic

Visible dimensions:

83.35" max(h) x 31.50" (w)
2117mm(h) x 800mm(w)

29.5" min(h) x 31.50" (w)
750mm(h) x 800mm(w)

Grippa top rail attachment recommended for semi-permanent or long term use. Adhesive top rail attachment recommended for short term use.

WARNING: Always attach graphic to base and top rail before removing the locking pin. After fitting, the graphic should be left for 24 hours before use to ensure the adhesive bonds sufficiently. Opening the base will invalidate the product warranty.

Graphic tension may be re-applied or added by turning the ratchet tensioner clockwise.



additional information:

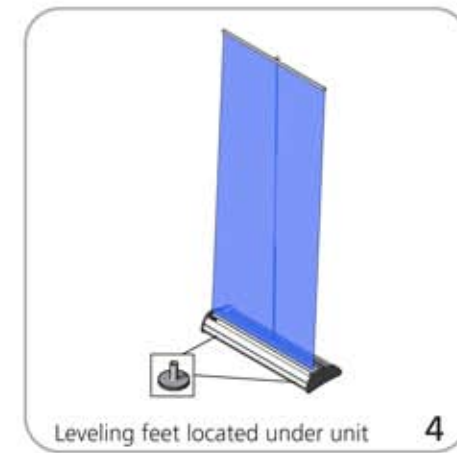
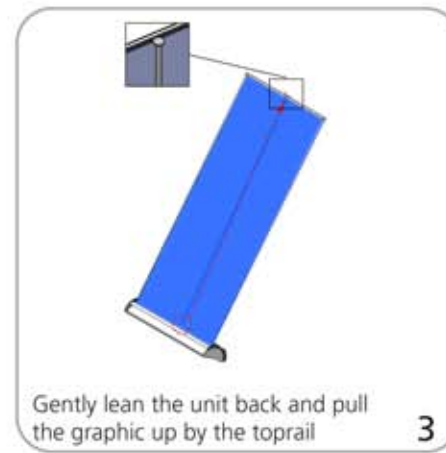
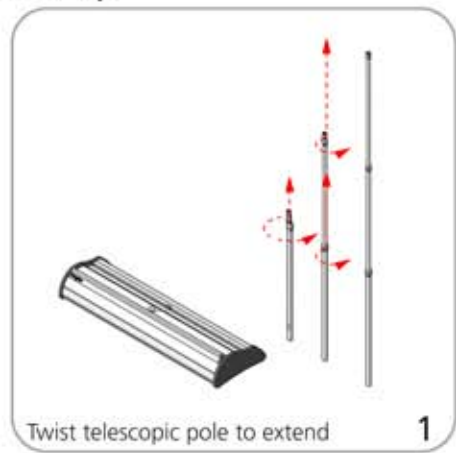
Graphic materials:

14oz. anti-curl vinyl, 8oz. oxford,
11 mil melinex

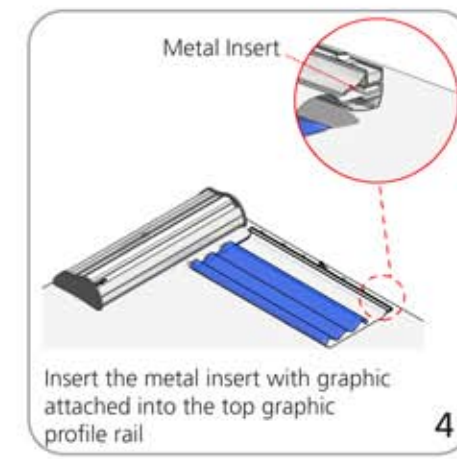
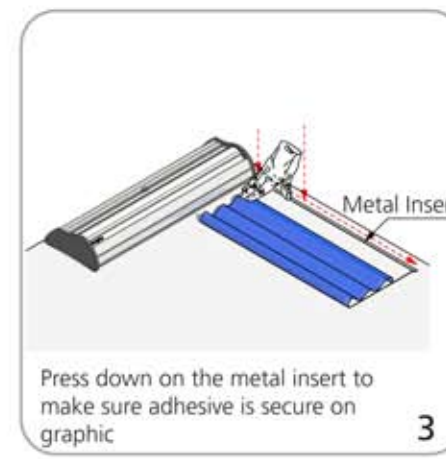
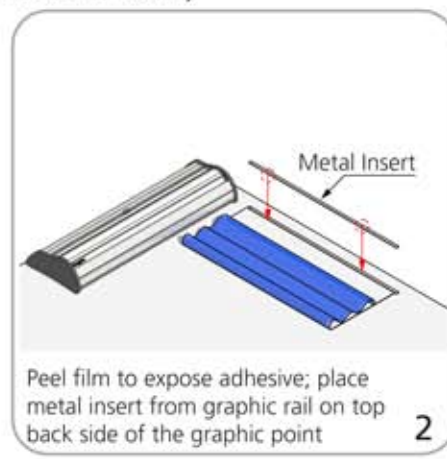
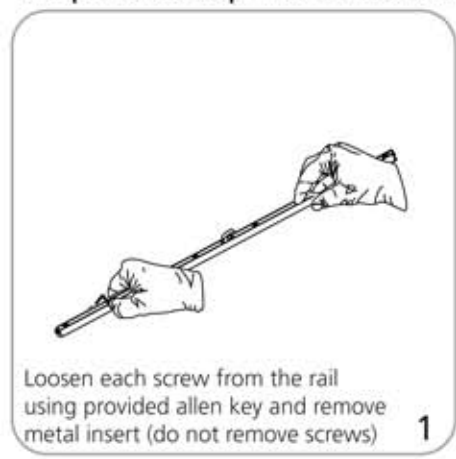
Lumina 2 banner lighting option available



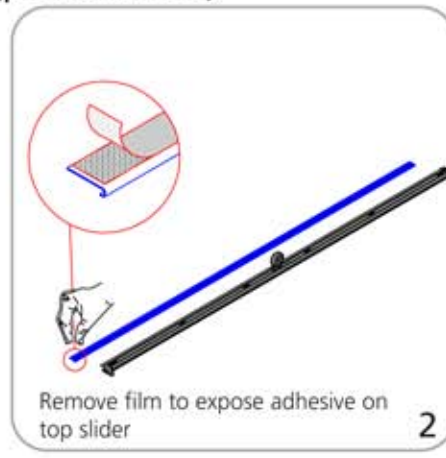
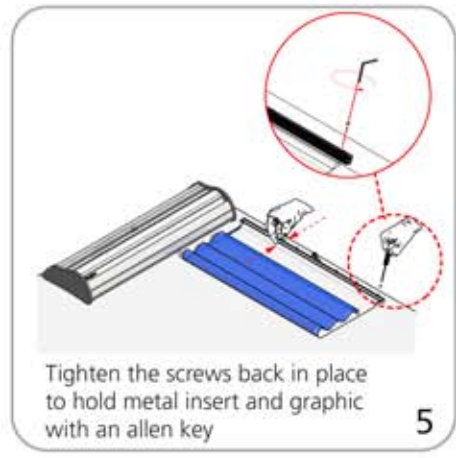
Set-up



Graphic to top rail attachment (metal insert)



Quick slide top rail attachment (plastic insert)



Graphic to base attachment

